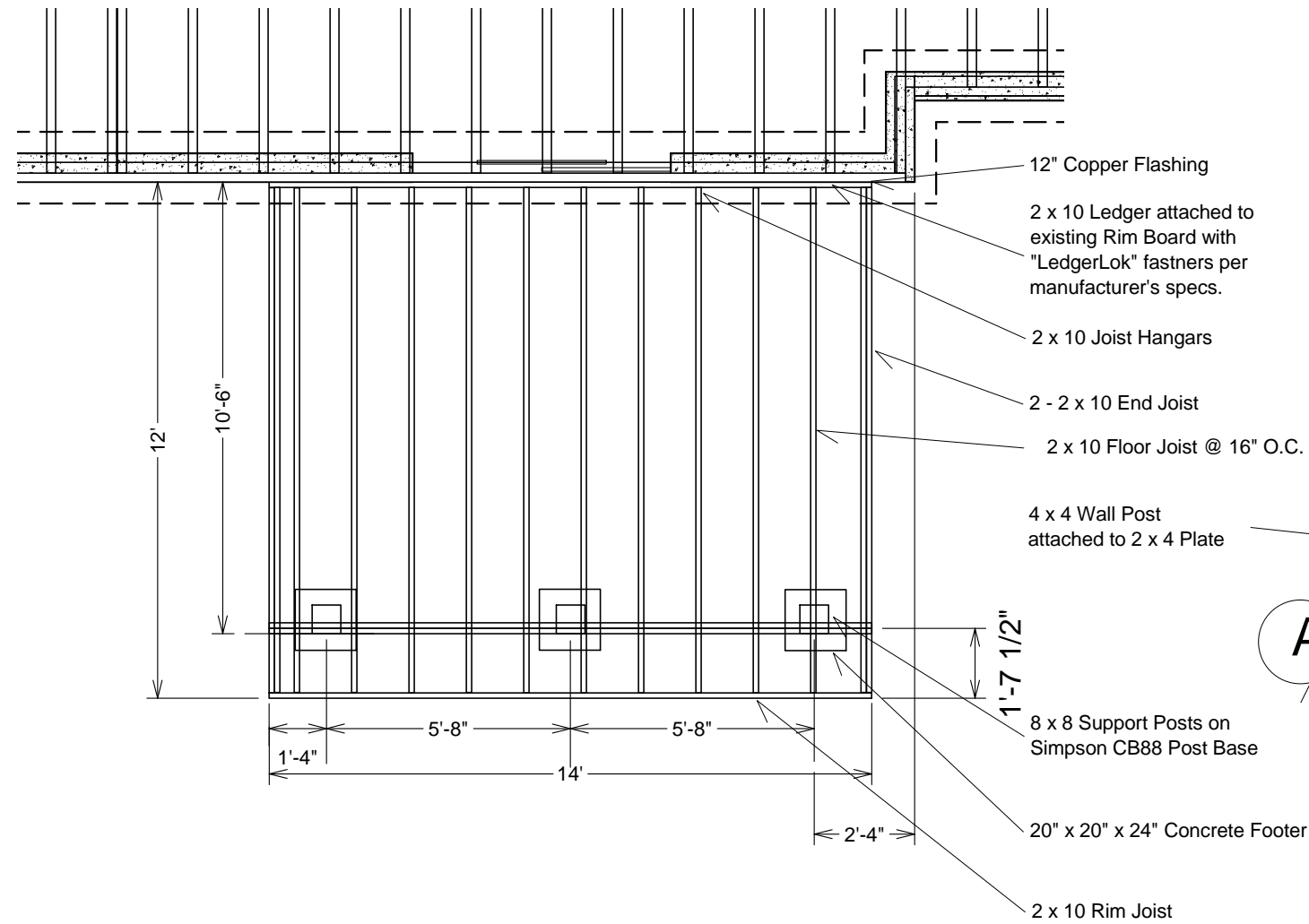


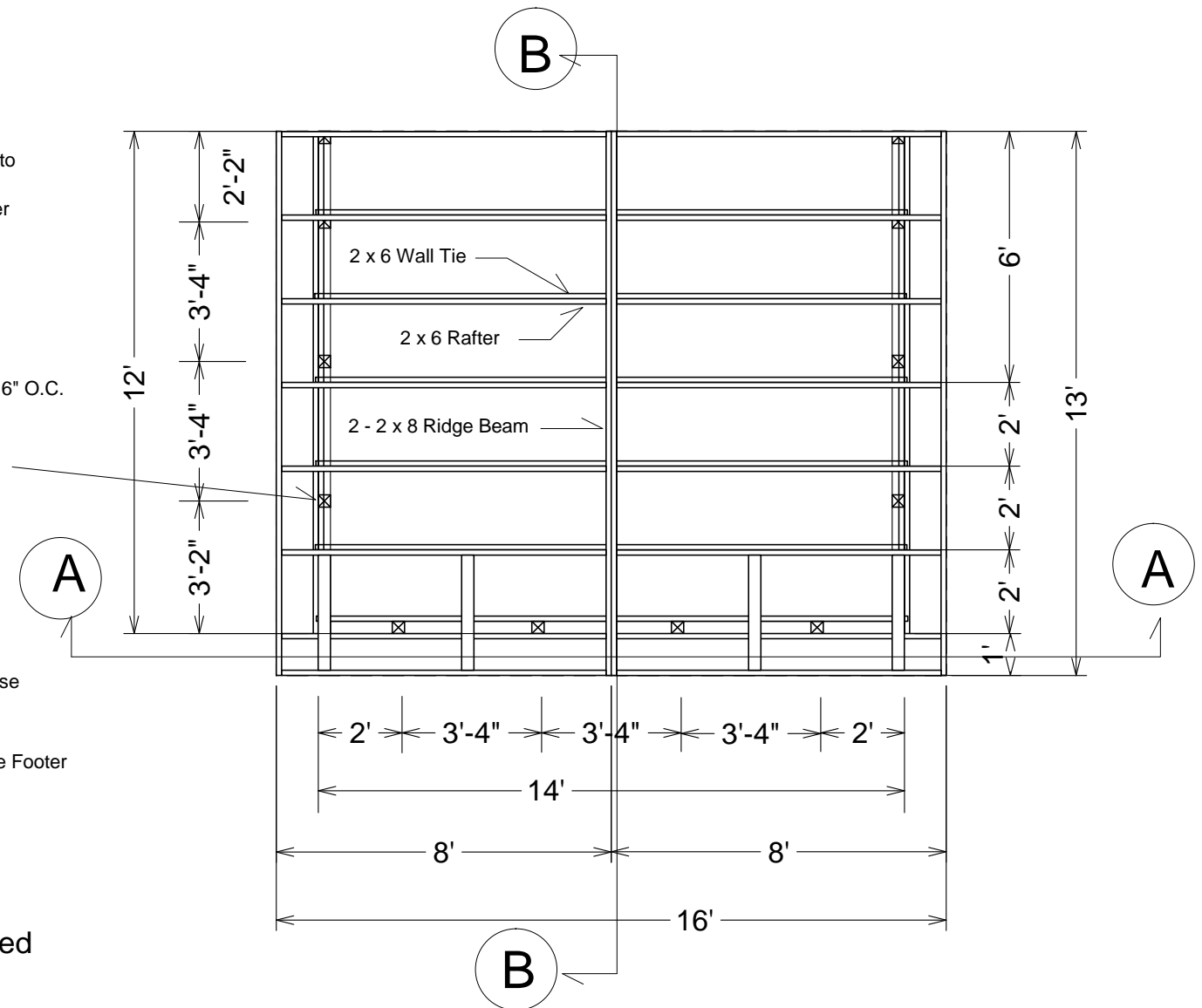
Construction to be IAW Stafford County  
Deck Construction Guide  
and  
Garlinghouse "Covered Screened Porch" plans

Existing House

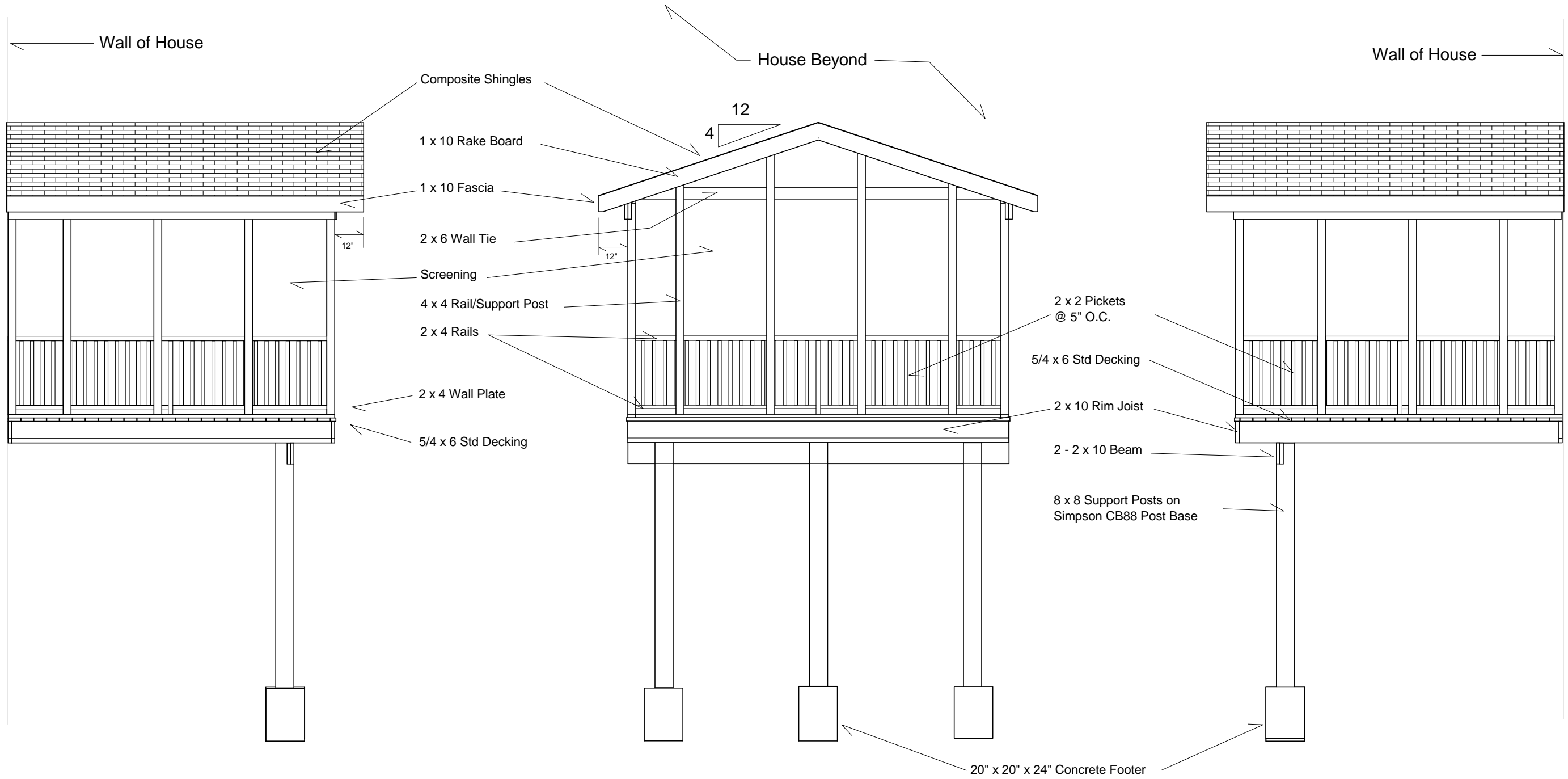


All Lumber Treated

Floor Framing Plan



Roof and Wall Framing Plan



Left

Front

Right

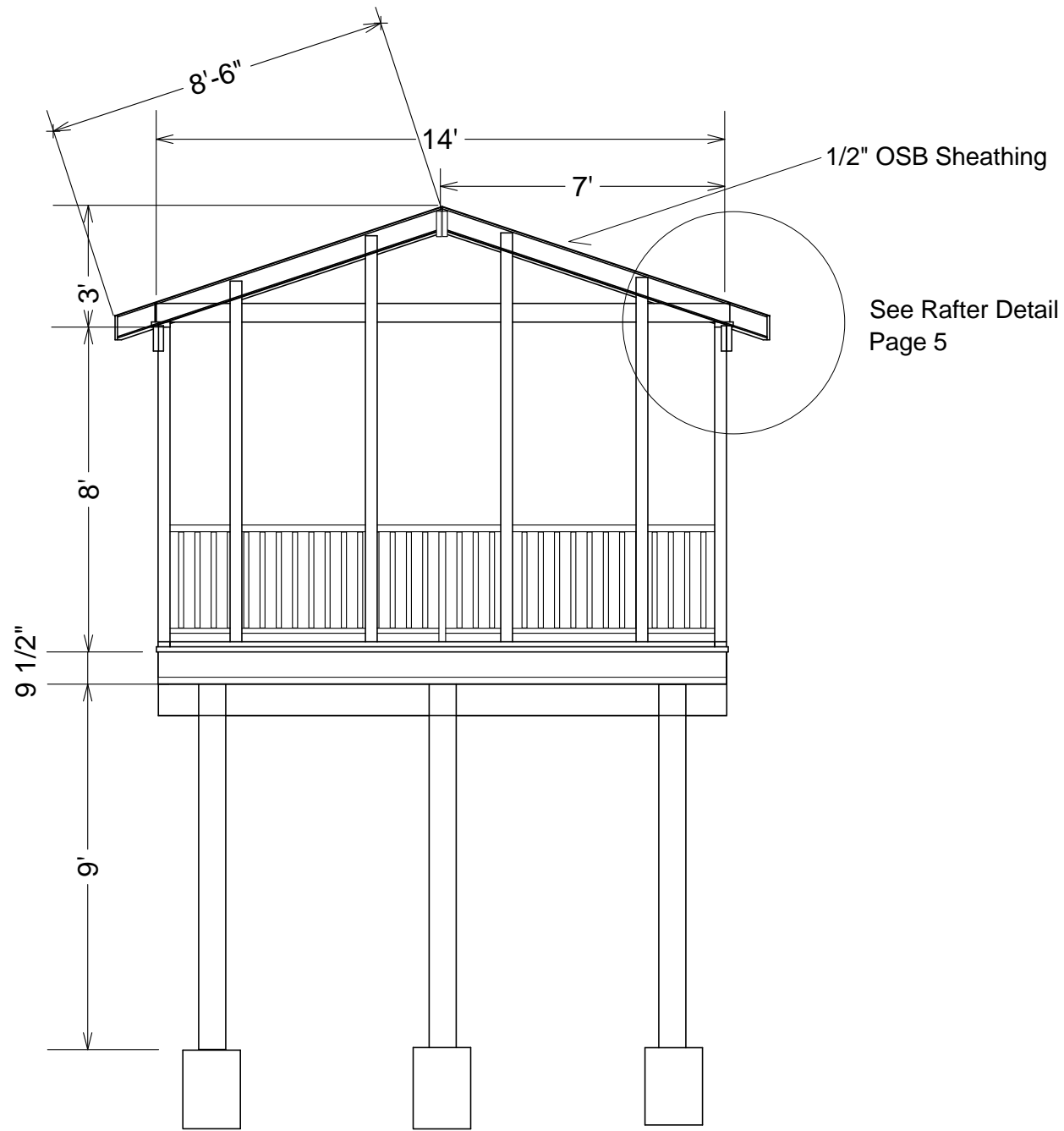
Rappahannock River Builders  
 Custom New Homes, Additions, Re-Models, Basements, Kitchens, Decks  
 P.O. Box 145  
 Corbin, VA 22446  
 540-370-4141  
 Fax 540-373-1054  
 www.rappahannockriverbuilders.com

# Heidbreder Screened Porch

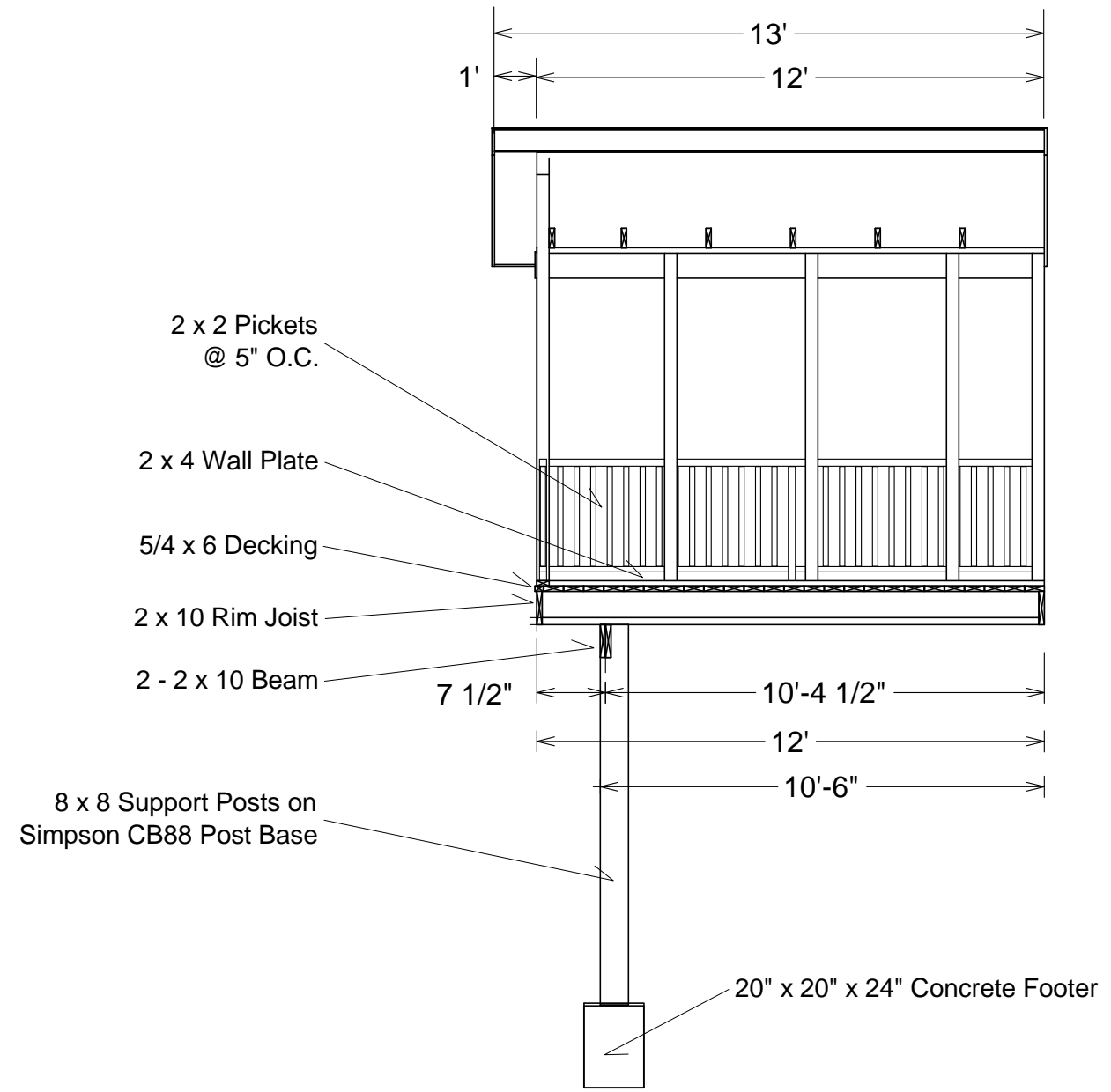
# Elevations

Scale  
 1/4" = 1'

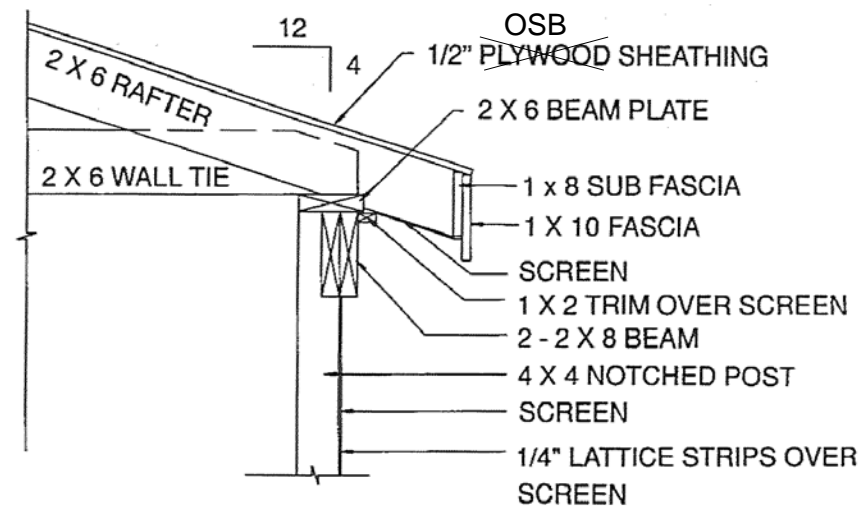
Page  
**3**  
 1/5/2010



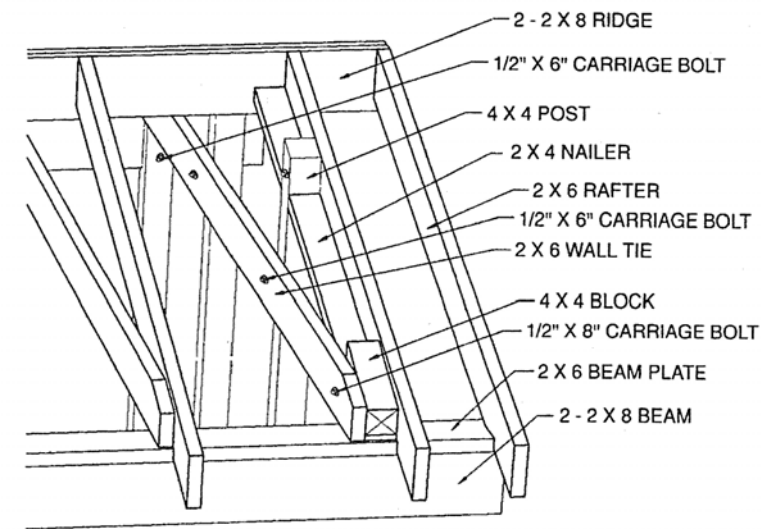
Section AA



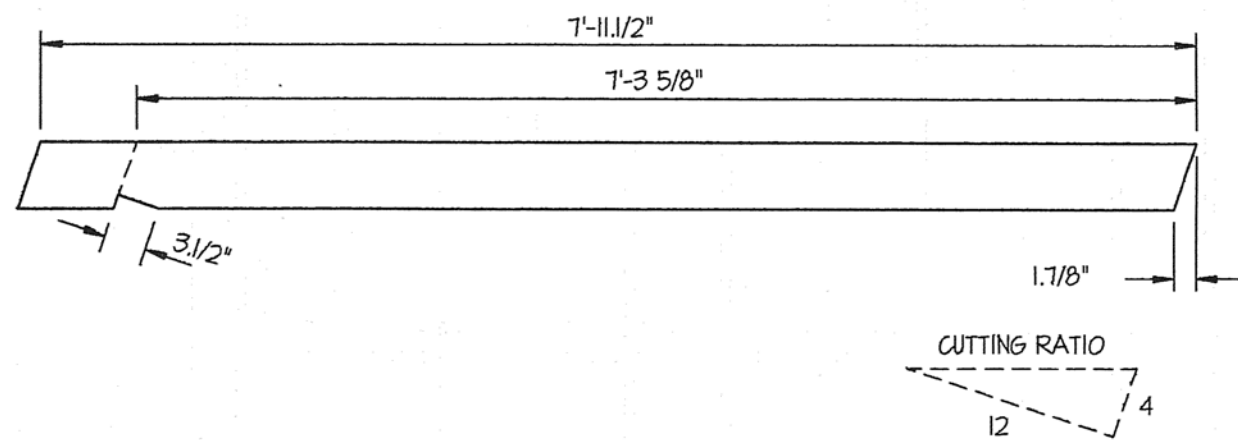
Section BB



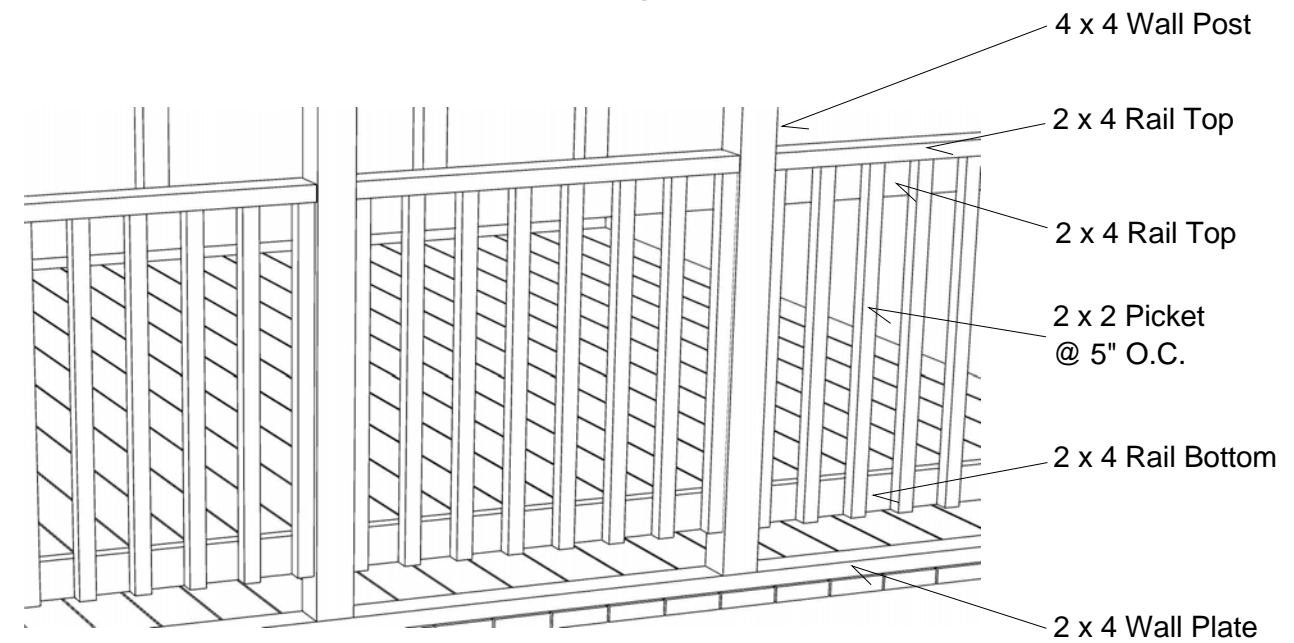
Rafter Detail



Roof Framing Detail



Rafter Cutting Detail



Railing Section Detail